



SON-T Agro E40

Product Description

- High Pressure Sodium lamp with clear outer bulb, high lumen maintenance and optimised micromol output

Product Features

- Clear tubular outer bulb
- "Agro" concept with increased blue radiation results in more compact and sturdy plant development
- Ceramic discharge tube with Philips Integrated Antenna (PIA) for a long and reliable lifetime
- ZrAl getter ensures high lumen maintenance and few early failures

Product Benefits

- Optimised performance for horticultural applications, especially at lower lighting levels
- Optimising plant development and quality with good leaf and bloom colour and extra branching

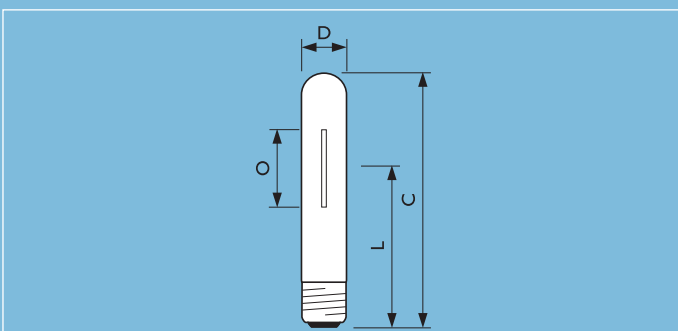
Application

- Horticultural applications, plant irradiation

www.lampsandgear.philips.com

recommended ballast pag. 2.4

Dimensions in mm



Dim. no.	C max.	D max.	L nom.	O nom.
1	283	47	175	83

Preferred selection

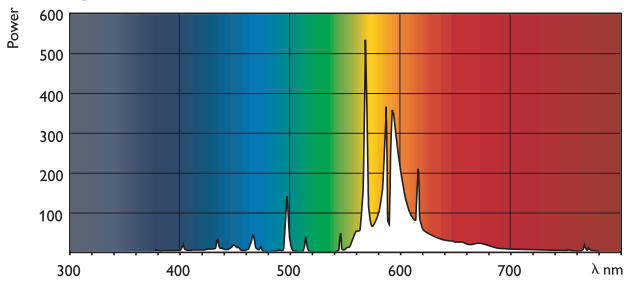
Type	EOC	Ignitor kind	Cap/Base	Packing configuration	Colour Rendering Index (Ra)	Colour Temperature (K)	Luminous Flux Lamp EM (lm)	Operating position	Lamp Voltage (V)
8711500									
MASTER SON-T PIA Agro 400W	707505 15	E	E40	12	25	2000	55000	ANY	116
MASTER SON-T PIA Agro 400W	198020 75	E	E40	60	25	2000	55000	ANY	116

Type	Bulb shape	Bulb finish	Bulb Temperature max. (° C)	Cap/Base Temperature max. (° C)	Dimmable	Lamp. Current EM (A)	Luminous Efficacy Lamp EM (lm/W)	Lamp Wattage EM (W)	Recommended ballast
MASTER SON-T PIA Agro 400W	T46	Clear	450	250	No	4.13	130	423	BSN400L33 TS
MASTER SON-T PIA Agro 400W	T46	Clear	450	250	No	4.13	130	423	BSN400L33 TS

Type	Net weight per piece (g)	Chromaticity Coordinate X	Chromaticity Coordinate Y	System Description	Luminance Average EM (cd/cm ²)	Ignition Supply Voltage min. (V)	ILCOS
MASTER SON-T PIA Agro 400W	192	520	415	External ignitor	670	198	ST-400-H/E-E40
MASTER SON-T PIA Agro 400W	190	520	415	External ignitor	670	198	ST-400-H/E-E40

Spectral power distribution

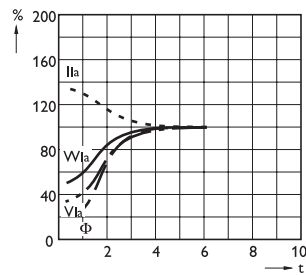
SON-T Agro



Performance diagrams

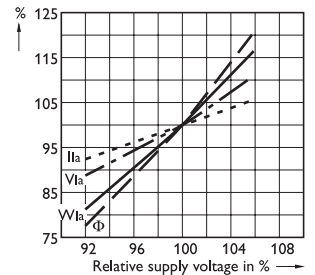
SON-T PIA Agro

Lamp performance during run up



I_{la} = Lamp current
 Φ = Luminous Flux
 V_{la} = Lamp Voltage
 W_{la} = Lamp Wattage

Effects of mains voltage variations





SON-T Green Power E40

Product Description

- High Pressure Sodium lamp with clear outer bulb, high lumen maintenance and optimised micromol output

Product Features

- Clear tubular outer bulb
- Ceramic discharge tube with Philips Integrated Antenna (PIA) for a long and reliable lifetime
- ZrAl getter ensures high lumen maintenance and few early failures
- "Green Power" concept with optimised micromol output (growth light)
- "Plus" concept with high efficacy translated into high light output

Product Benefits

- Optimised performance for horticultural applications
- High lumen maintenance safeguards a constant crop quality and quantity over life

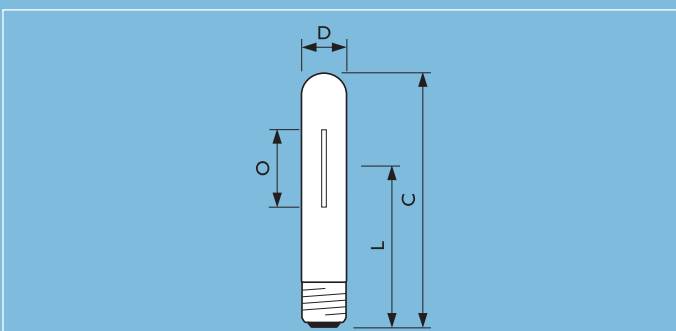
Application

- Horticultural applications, plant irradiation

www.lampsandgear.philips.com

recommended ballast pag. 2.4

Dimensions in mm



Dim. no.	C max.	D max.	L nom.	O nom.
1	275	46	175	83
2	275	46	166	102
3	283	47	169	102

Preferred selection

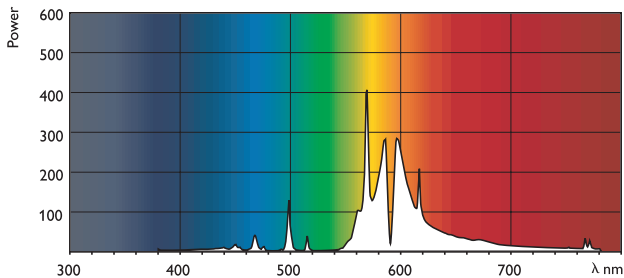
Type	EOC	Cap/ Base	Packing configuration	Colour Rendering Index (R _a)	Luminous Flux Lamp EM (lm)	Operating position	Dim. no.
8711500							
MASTER SON-T PIA Green Power 400W E	201966 15	E40	12	20	58500	ANY	1
MASTER SON-T PIA Green Power 400W E	202451 75	E40	60	20	58500	ANY	1
MASTER SON-T PIA Green Power 600W E	202024 15	E40	12	26	88000	ANY	2*
MASTER SON-T PIA Green Power 600W E	202291 75	E40	60	26	88000	ANY	2
MASTER SON-T PIA Green Power 600W 400V	203076 15	E40	12	33	87500	ANY	3
MASTER SON-T PIA Green Power 600W 400V	203090 75	E40	60	33	87500	ANY	3

Type	Lamp Voltage (V)	Bulb shape	Bulb finish	Bulb Temperature max. (° C)	Cap/Base Temperature max. (° C)	Lamp. Current EM (A)	Luminous Efficacy Lamp EM (lm/W)
MASTER SON-T PIA Green Power 400W E	113	T46	Clear	450	250	4.23	140
MASTER SON-T PIA Green Power 400W E	113	T46	Clear	450	250	4.23	140
MASTER SON-T PIA Green Power 600W E	107	T46	Clear	450	250	6.30	147
MASTER SON-T PIA Green Power 600W E	107	T46	Clear	450	250	6.30	147
MASTER SON-T PIA Green Power 600W 400V	191	T46	Clear	450	250	3.62	144
MASTER SON-T PIA Green Power 600W 400V	191	T46	Clear	450	250	3.62	144

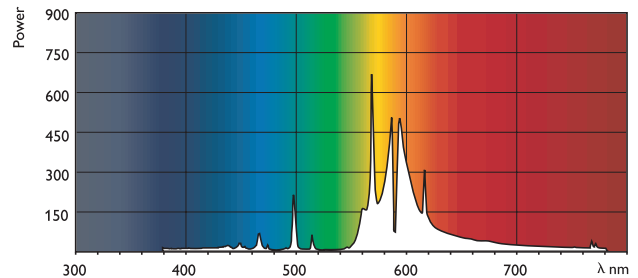
Type	Lamp Wattage EM (W)	Net weight per piece (g)	Chromaticity Coordinate X	Chromaticity Coordinate Y	System Description	Ignition Supply Voltage min. (V)
MASTER SON-T PIA Green Power 400W E	420	180			External ignitor	198
MASTER SON-T PIA Green Power 400W E	420	180			External ignitor	198
MASTER SON-T PIA Green Power 600W E	605	182	533	432	External ignitor	220
MASTER SON-T PIA Green Power 600W E	605	182	533	432	External ignitor	220
MASTER SON-T PIA Green Power 600W 400V	608	190	526	420	System 400V	398
MASTER SON-T PIA Green Power 600W 400V	608	179	526	420	System 400V	398

Spectral power distribution

SON-T Green Power



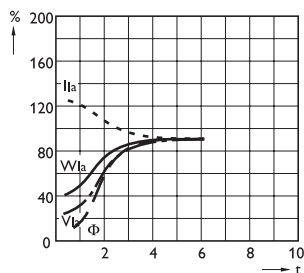
SON-T Green Power



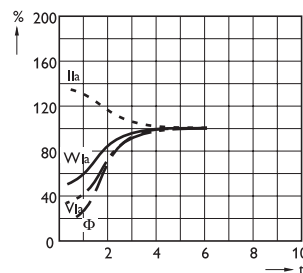
Performance diagrams

MASTER SON-T PIA Green Power

Lamp performance during run up



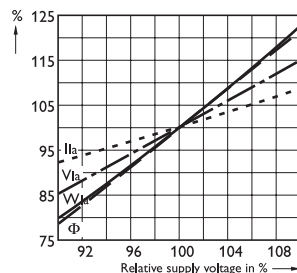
Effects of mains voltage variations



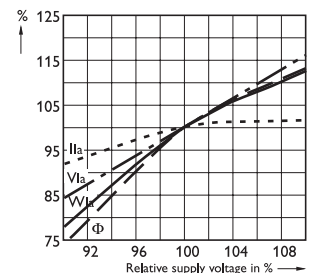
I_{la} = Lamp current
 Φ = Luminous Flux
 V_{la} = Lamp Voltage
 W_{la} = Lamp Wattage

MASTER SON-T PIA Green Power

Lamp performance during run up



Effects of mains voltage variations



I_{la} = Lamp current
 Φ = Luminous Flux
 V_{la} = Lamp Voltage
 W_{la} = Lamp Wattage